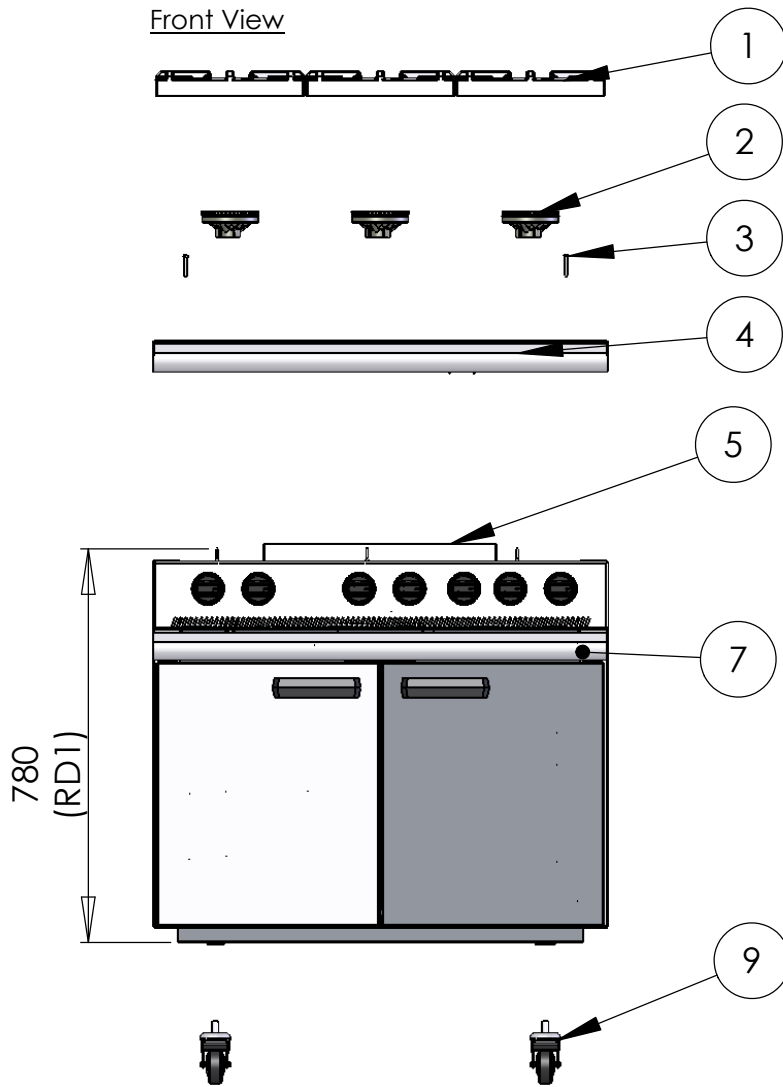


Parry Ultima Six Burner Oven

In order to move the Ultima Six Burner Oven through an extremely tight doorway the following parts can be removed.



Number	Part
1	Pan supports
2	Burners
3	Four securing screws
4	Top Frame
5	Flue
6	Back
7	Drip Tray
8	5 securing screws
9	Castors

